

NOP Coolant Unit YTH

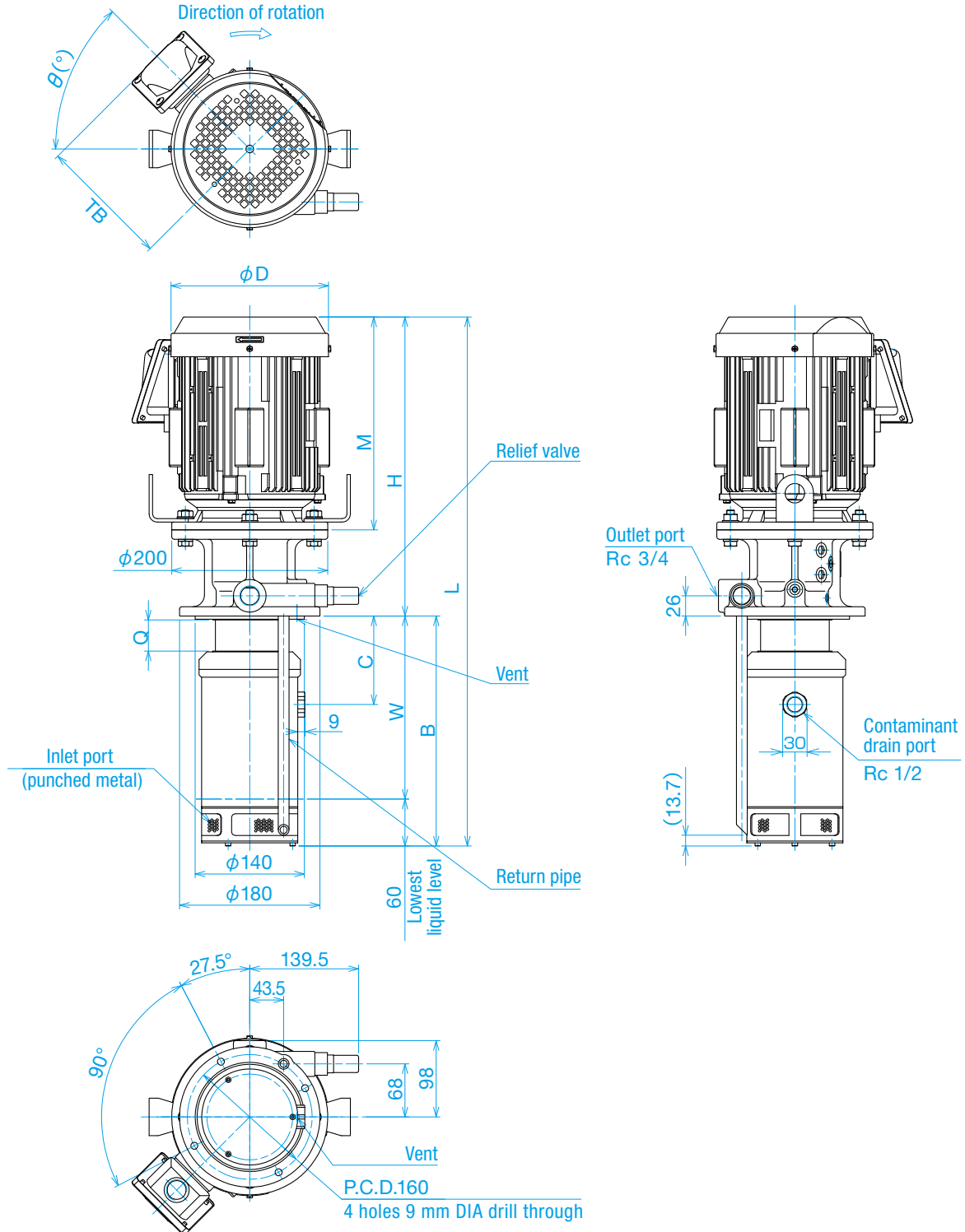
E Series

ET·ES

(typical)

Model Numbering System: TOP-YTH ① ② - ③ E VD ④ ⑤

① Motor capacity ② Motor type ③ Flow rate ④ Relief pressure setting ⑤ Filtering performance



(mm)

Model	L	B	C	W	Q	H	M	ϕD	θ ($^{\circ}$)	TB
YTH750A3-T208EVD**	638.8	274.8	93.5	214.8	20	364	253.5	170	30	151
YTH1500A3-T216EVD**	678.3	294.8	113.5	234.8	40	383.5	273	202	45	168
YTH750A3-S208EVD**	638.8	274.8	93.5	214.8	20	364	253.5	170	30	151
YTH1500A3-S216EVD**	678.3	294.8	113.5	234.8	40	383.5	273	202	45	168